

CUSTOMIZED SYSTEMS

Tecnicomar designs and manufactures Reverse Osmosis fresh water generators, Water Treatment Systems and Sewage Treatment Plants, tailor-made according to customer's needs. High flow rate, continuous operation, suitability to hard working environments, customized configurations: all these are the main features of Tecnicomar's equipment.

A team of talented engineers and experienced technicians are at your service anytime to develop the best solutions to comply with your requests.



ECOMAR SEWAGE TREATMENT PLANTS

Tecnicomar ECOMar is the sewage treatment system able to treat grey and black water in compliance with international standards and to render it dischargeable directly into the sea, without solid residues.

The chemical-physical reactions inside disinfect the water and reduce the sediment dimensions so that the water becomes clear and odorless and can be discharged directly overboard. At the end of every cycle of work the tank is automatically washed with sea water.



ECOMAR SEWAGE TREATMENT PLANTS

Tecnicomar ECOmar Sewage Treatment plant is built with a central body made in AISI 316L stainless steel or in strong polypropylene for the smallest models: 45, 32 and 20, mounted on a stainless steel chassis. All models are designed and built to work in extreme conditions of temperature and vibrations and got a high level of reliability and efficiency.

The LCD electronic control panel with microprocessor manages all the functions of the system, automatically, with a very low electric power consumption. The system can also run in emergency mode, if needed. A range of specific accessories are available.



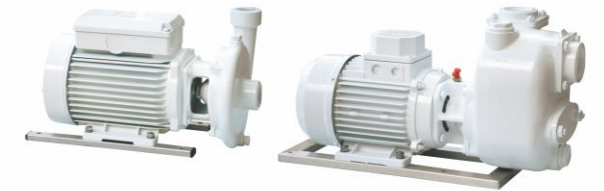
- Complying with International Standards
- Treatment capacity from 2000 to 54500 litres per day
- Totally automatic operation with microprocessor control



ECOMAR 340



DOSING PUMP



SEA WATER AND TRANSFER PUMPS

MAIN ADVANTAGES OF ECOmar:

- POLLUTION FREE: the disinfectant liquid does not release poisonous substances
- NO RESIDUALS ON BOARD: consequently the installation of a sludge tank is not required
- EASY TO USE: totally automatic with possibility to operate it manually in emergency
- COMPACT: designed to be installed in small engine rooms
- VERSATILE: all voltages and frequencies available

MADE IN ITALY



ECOMAR 340 -INOX-



ECOMAR 145 -INOX-



ECOMAR 70 -INOX-



ECOMAR 45 -INOX / PP-



ECOMAR 32 -INOX / PP-



ECOMAR 20 -INOX / PP-

Technical Features

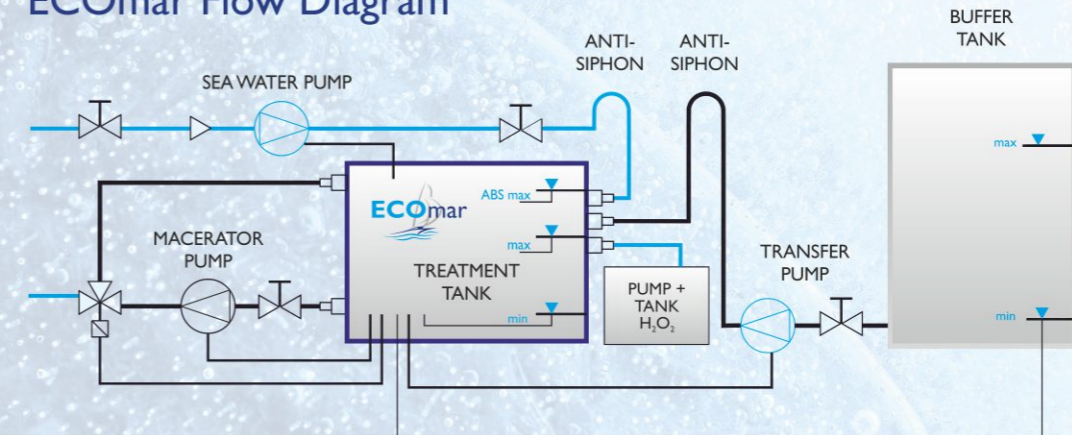
	ECOMAR 545	ECOMAR 340	ECOMAR 145	ECOMAR 70	ECOMAR 45	ECOMAR 32	ECOMAR 20
Max treatment capacity (litres/day)*	54500	34000	14500	7000	4500	3200	2000
Work cycles per hour (approx.)	3	3	3	3	3	3	3
Power supply	400 V a.c.	400 V a.c.	230 / 400 V a.c.	230 / 400 V a.c.	230 / 400 V a.c.	230 / 400 V a.c.	230 / 400 V a.c.
Installed power (kW) at 230 V a.c.			1.1	1.1	1.1	0.75	0.75
at 400 V a.c.	11	5.5	1.5	1.5	1.5	0.75	0.75
Max absorption (A)	20	12	4.5 (400 V a.c.) / 7 (230 V a.c.)		2 (400 V a.c.) / 4 (230 V a.c.)		

*System running 24 hours a day

Dimensions and weight

	1970x1700x1375	1400x1205x1370	1250x815x850	950x670x755	800x590x775	770x570x725	635x550x725
Central unit dimensions (mm)							
Tank dimensions (mm)	1785x990x1200	1340x850x1200	1150x600x700	850x470x620	700x380x620	660x320x595	450x300x595
Central unit weight (kg)	Inox 915	450	190	112	100	46	35
	PP				70	40	30

ECOMAR Flow Diagram



CERTIFIED BY LLOYD'S REGISTER ACCORDING TO THE RESOLUTION MEPC 227 (64) INCLUDING PARA 4.2. AND EUROPEAN DIRECTIVES (MED) 96/98/EC AND SUBSEQUENT AMENDMENTS. U.S. COAST GUARD CERTIFIED SERIES AVAILABLE



Optionals available on request:



7" LCD touch-screen remote control



CDMAR-2 remote control



Remote control by on-board PC



Air purifier by advanced air oxidation to eliminate bad odors